

STATE OF NORTH CAROLINA
DIVISION OF HIGHWAYS

STATE	PROJECT REFERENCE NO	SHEET	TOTAL
N.C.	11C.003013	1	2

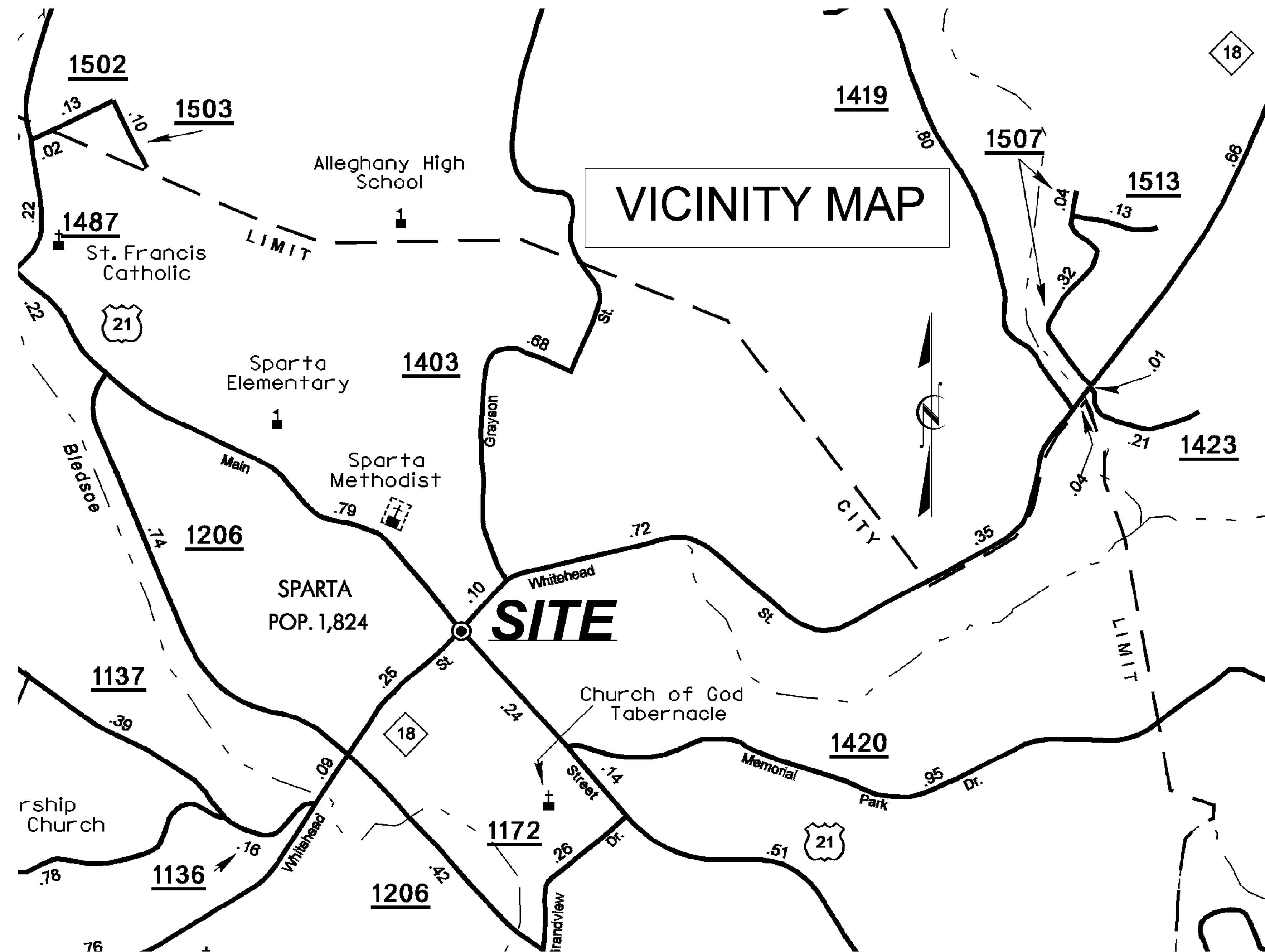
ALLEGHANY COUNTY

NORTH ORIENTATION
MAP DATUM IS BASED ON NC GRID
NAD '83 / 2011 DERIVED FROM GPS
LOCATION WITH A TRIMBLE R8 GNSS
R6 5800. COORDINATES SHOWN
HEREON ARE "U.S. SURVEY FEET"
AND ELEVATION DATUM IS NAVD '88.



LOCATION: NC HWY 18 "EAST WHITEHEAD STREET", FROM US HWY 21 NORTHEASTERLY TO "SOUTH GRAYSON STREET".
TYPE OF WORK: PROPOSED DRAINAGE AND STREET SCAPE IMPROVEMENTS.

NC HIGHWAY 18, SPARTA, ALLEGHANY CO.



DISCLAIMER

THIS MAP IS NOT A CERTIFIED SURVEY AND HAS NOT BEEN REVIEWED BY A LOCAL GOVERNMENT AGENCY FOR COMPLIANCE WITH ANY APPLICABLE LAND DEVELOPMENT REGULATIONS. THE PROPERTY SHOWN ON THIS MAP WAS LOCATED FOR THE NORTH CAROLINA DEPARTMENT OF TRANSPORTATION FOR HIGHWAY DESIGN PURPOSES. SOME ERROR MAY EXIST BETWEEN THE GRAPHICAL AND ACTUAL GROUND LOCATIONS OF PROPERTY LINES. THIS MAP IS TO BE USED AS A GRAPHICAL REPRESENTATION OF THE NCDOT'S INTENT TO ACQUIRE PROPERTY FOR RIGHT OF WAY PURPOSES, AND IN NO WAY REPRESENTS AN ACTUAL BOUNDARY SURVEY OF THIS PROPERTY.

PROJECT LENGTH

Prepared in the Office of:
DIVISION OF HIGHWAYS
419 Oakland Drive, Elkin, NC 28621

2012 STANDARD SPECIFICATIONS

RIGHT OF WAY DATE:
MARCH, 2014

LETTING DATE:

MIKE PETTYJOHN, PE
DIVISION ENGINEER

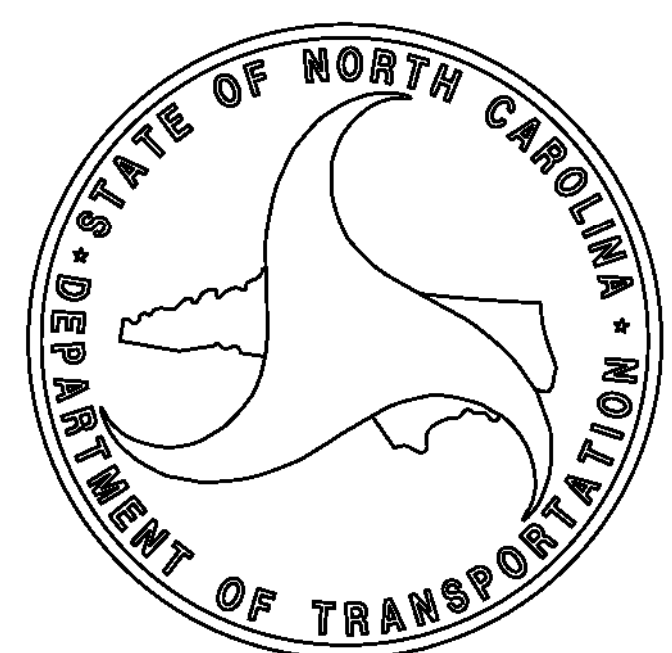
BRANDON WHITAKER, PE
DISTRICT ENGINEER

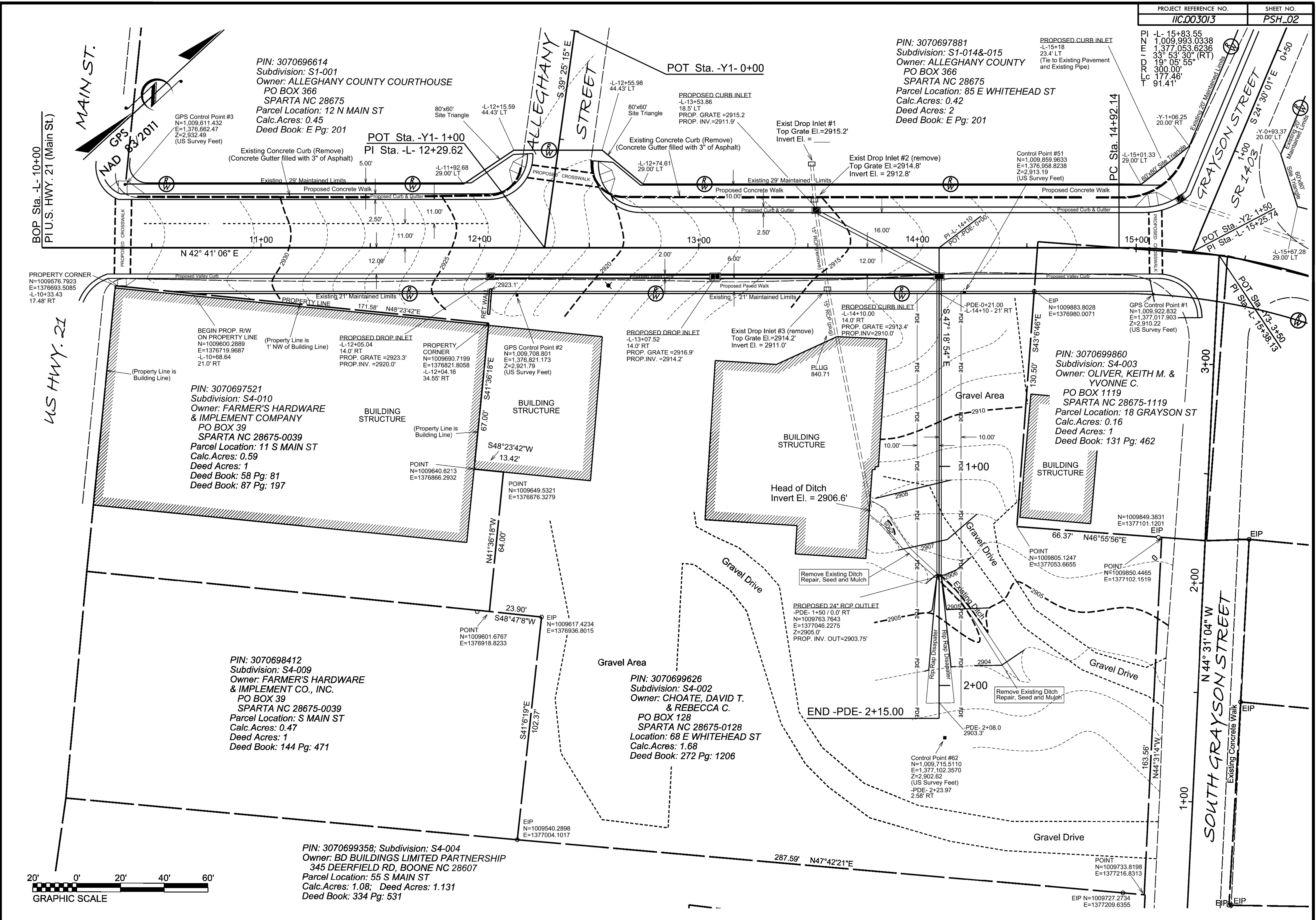
HYDRAULICS ENGINEER

SIGNATURE: _____ P.E.

ROADWAY DESIGN ENGINEER

SIGNATURE: _____ P.E.





PIN: 3070696614
 Subdivision: S1-001
 Owner: ALLEGHANY COUNTY COURTHOUSE
 PO BOX 366
 SPARTA NC 28675
 Parcel Location: 12 N MAIN ST
 Calc. Acres: 0.45
 Deed Book: E Pg: 201

PIN: 3070697881
 Subdivision: S1-014&-015
 Owner: ALLEGHANY COUNTY
 PO BOX 366
 SPARTA NC 28675
 Parcel Location: 85 E WHITEHEAD ST
 Calc. Acres: 0.42
 Deed Book: E Pg: 201

PROPOSED CURB INLET
 -L-15+18
 23.4' LT
 (Tie to Existing Pavement
 and Existing Pipe)

PI -L- 15+83.55
 -L-15+18
 1,009,993.0338
 1,377,053.6236
 33° 53' 30" (RT)
 19° 05' 55"
 300.00'
 177.46'
 91.41'

GPS Control Point #3
 N=1,009,611.432
 E=1,376,662.47
 Z=2,932.49
 (US Survey Feet)

Control Point #51
 N=1,009,859.9633
 E=1,376,958.8238
 Z=2,913.19
 (US Survey Feet)

GPS Control Point #1
 N=1,009,922.832
 E=1,377,017.903
 Z=2,910.22
 (US Survey Feet)

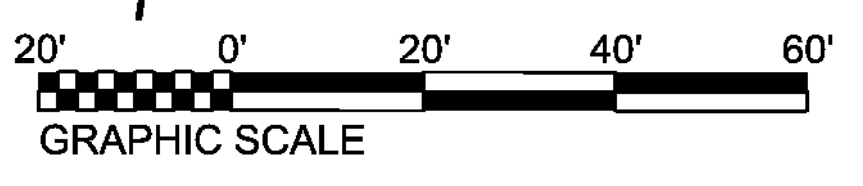
PIN: 3070697521
 Subdivision: S4-010
 Owner: FARMER'S HARDWARE
 & IMPLEMENT COMPANY
 PO BOX 39
 SPARTA NC 28675-0039
 Parcel Location: 11 S MAIN ST
 Calc. Acres: 0.59
 Deed Acres: 1
 Deed Book: 58 Pg: 81
 Deed Book: 87 Pg: 197

PIN: 3070699860
 Subdivision: S4-003
 Owner: OLIVER, KEITH M. &
 YVONNE C.
 PO BOX 1119
 SPARTA NC 28675-1119
 Parcel Location: 18 GRAYSON ST
 Calc. Acres: 0.16
 Deed Acres: 1
 Deed Book: 131 Pg: 462

PIN: 3070698412
 Subdivision: S4-009
 Owner: FARMER'S HARDWARE
 & IMPLEMENT CO., INC.
 PO BOX 39
 SPARTA NC 28675-0039
 Parcel Location: S MAIN ST
 Calc. Acres: 0.47
 Deed Acres: 1
 Deed Book: 144 Pg: 471

PIN: 3070699626
 Subdivision: S4-002
 Owner: CHOATE, DAVID T.
 & REBECCA C.
 PO BOX 128
 SPARTA NC 28675-0128
 Location: 68 E WHITEHEAD ST
 Calc. Acres: 1.68
 Deed Book: 272 Pg: 1206

PIN: 3070699358; Subdivision: S4-004
 Owner: BD BUILDINGS LIMITED PARTNERSHIP
 345 DEERFIELD RD, BOONE NC 28607
 Parcel Location: 55 S MAIN ST
 Calc. Acres: 1.08; Deed Acres: 1.131
 Deed Book: 334 Pg: 531



REVISIONS

US HWY. 21

SOUTH GRAYSON STREET

ALLEGHANY STREET

MAIN ST.

GRAYSON STREET

PIUS HWY. 21 (Main St.)

PC Sta. 14+92.14

POT Sta. -Y1- 0+00

POT Sta. -Y1- 1+00
 PI Sta. -L- 12+29.62

POT Sta. -Y2- 1+50
 PI Sta. -L- 15+25.74

POT Sta. -Y3- 3+50
 PI Sta. -L- 15+36.73

PROPOSED CURB INLET
 -L-14+10.00
 14.0' RT
 PROP. GRATE =2913.4'
 PROP. INV.=2910.0'

PROPOSED DROP INLET
 -L-13+07.52
 14.0' RT
 PROP. GRATE =2916.9'
 PROP. INV. =2914.2'

Exist Drop Inlet #3 (remove)
 Top Grate El.=2914.2'
 Invert El. = 2911.0'

PROPOSED 24" RCP OUTLET
 -PDE- 1+50 / 0.0' RT
 N=1009763.7643
 E=1377046.2275
 Z=2905.0'
 PROP. INV. OUT=2903.75'

Control Point #62
 N=1,009,715.5110
 E=1,377,102.3570
 Z=2,902.62
 (US Survey Feet)
 -PDE- 2+23.97
 2.58' RT

EIP N=1009727.2734
 E=1377209.6355

POINT N=1009805.1247
 E=1377053.6655

POINT N=1009850.4465
 E=1377102.1519

POINT N=1009640.6213
 E=1376966.2932

POINT N=1009649.5321
 E=1376876.3279

POINT N=1009601.6767
 E=1376918.8233

POINT N=1009540.2898
 E=1377004.1017

POINT N=1009733.8198
 E=1377216.8313

POINT N=1009849.3831
 E=1377101.1201

EIP N=1009883.8028
 E=1376980.0071

EIP N=1009859.9633
 E=1376958.8238

EIP N=1009849.3831
 E=1377101.1201

EIP N=1009805.1247
 E=1377053.6655

EIP N=1009850.4465
 E=1377102.1519

EIP N=1009640.6213
 E=1376966.2932

EIP N=1009649.5321
 E=1376876.3279

EIP N=1009601.6767
 E=1376918.8233

EIP N=1009540.2898
 E=1377004.1017

EIP N=1009733.8198
 E=1377216.8313

EIP N=1009849.3831
 E=1377101.1201

EIP N=1009883.8028
 E=1376980.0071

EIP N=1009859.9633
 E=1376958.8238

EIP N=1009849.3831
 E=1377101.1201

EIP N=1009805.1247
 E=1377053.6655

EIP N=1009850.4465
 E=1377102.1519

EIP N=1009640.6213
 E=1376966.2932

EIP N=1009649.5321
 E=1376876.3279

EIP N=1009601.6767
 E=1376918.8233

EIP N=1009540.2898
 E=1377004.1017

EIP N=1009733.8198
 E=1377216.8313

EIP N=1009849.3831
 E=1377101.1201

EIP N=1009883.8028
 E=1376980.0071

EIP N=1009859.9633
 E=1376958.8238

EIP N=1009849.3831
 E=1377101.1201

EIP N=1009805.1247
 E=1377053.6655

EIP N=1009850.4465
 E=1377102.1519

EIP N=1009640.6213
 E=1376966.2932

EIP N=1009649.5321
 E=1376876.3279

EIP N=1009601.6767
 E=1376918.8233

EIP N=1009540.2898
 E=1377004.1017

EIP N=1009733.8198
 E=1377216.8313

EIP N=1009849.3831
 E=1377101.1201

EIP N=1009883.8028
 E=1376980.0071

EIP N=1009859.9633
 E=1376958.8238

EIP N=1009849.3831
 E=1377101.1201

EIP N=1009805.1247
 E=1377053.6655

EIP N=1009850.4465
 E=1377102.1519

EIP N=1009640.6213
 E=1376966.2932

EIP N=1009649.5321
 E=1376876.3279

EIP N=1009601.6767
 E=1376918.8233

EIP N=1009540.2898
 E=1377004.1017

EIP N=1009733.8198
 E=1377216.8313

EIP N=1009849.3831
 E=1377101.1201

EIP N=1009883.8028
 E=1376980.0071

EIP N=1009859.9633
 E=1376958.8238

EIP N=1009849.3831
 E=1377101.1201

EIP N=1009805.1247
 E=1377053.6655

EIP N=1009850.4465
 E=1377102.1519

EIP N=1009640.6213
 E=1376966.2932

EIP N=1009649.5321
 E=1376876.3279

EIP N=1009601.6767
 E=1376918.8233

EIP N=1009540.2898
 E=1377004.1017

EIP N=1009733.8198
 E=1377216.8313

EIP N=1009849.3831
 E=1377101.1201

EIP N=1009883.8028
 E=1376980.0071

EIP N=1009859.9633
 E=1376958.8238

EIP N=1009849.3831
 E=1377101.1201

EIP N=1009805.1247
 E=1377053.6655

EIP N=1009850.4465
 E=1377102.1519

EIP N=1009640.6213
 E=1376966.2932

EIP N=1009649.5321
 E=1376876.3279

EIP N=1009601.6767
 E=1376918.8233

EIP N=1009540.2898
 E=1377004.1017

EIP N=1009733.8198
 E=1377216.8313

EIP N=1009849.3831
 E=1377101.1201

EIP N=1009883.8028
 E=1376980.0071

EIP N=1009859.9633
 E=1376958.8238

EIP N=1009849.3831
 E=1377101.1201

EIP N=1009805.1247
 E=1377053.6655

EIP N=1009850.4465
 E=1377102.1519

EIP N=1009640.6213
 E=1376966.2932

EIP N=1009649.5321
 E=1376876.3279

EIP N=1009601.6767
 E=1376918.8233

EIP N=1009540.2898
 E=1377004.1017

EIP N=1009733.8198
 E=1377216.8313

EIP N=1009849.3831
 E=1377101.1201

EIP N=1009883.8028
 E=1376980.0071

EIP N=1009859.9633
 E=1376958.8238

EIP N=1009849.3831
 E=1377101.1201

EIP N=1009805.1247
 E=1377053.6655

EIP N=1009850.4465
 E=1377102.1519

EIP N=1009640.6213
 E=1376966.2932

EIP N=1009649.5321
 E=1376876.3279

EIP N=1009601.6767
 E=1376918.8233

EIP N=1009540.2898
 E=1377004.1017

EIP N=1009733.8198
 E=1377216.8313

EIP N=1009849.3831
 E=1377101.1201

EIP N=1009883.8028
 E=1376980.0071

EIP N=1009859.9633
 E=1376958.8238

EIP N=1009849.3831
 E=1377101.1201

EIP N=1009805.1247
 E=1377053.6655

EIP N=1009850.4465
 E=1377102.1519

EIP N=1009640.6213
 E=1376966.2932

EIP N=1009649.5321
 E=1376876.3279

EIP N=1009601.6767
 E=1376918.8233

EIP N=1009540.2898
 E=1377004.1017

EIP N=1009733.8198
 E=1377216.8313

EIP N=1009849.3831
 E=1377101.1201

EIP N=1009883.8028
 E=1376980.0071

EIP N=1009859.9633
 E=1376958.8238

EIP N=1009849.3831
 E=1377101.1201

EIP N=1009805.1247
 E=1377053.6655

EIP N=1009850.4465
 E=1377102.1519

EIP N=1009640.6213
 E=1376966.2932

EIP N=1009649.5321
 E=1376876.3279

EIP N=1009601.6767
 E=1376918.8233

EIP N=1009540.2898
 E=1377004.1017

EIP N=1009733.8198
 E=1377216.8313

EIP N=1009849.3831
 E=1377101.1201

EIP N=1009883.8028
 E=1376980.0071

EIP N=1009859.9633
 E=1376958.8238

EIP N=1009849.3831
 E=1377101.1201

EIP N=1009805.1247
 E=1377053.6655

EIP N=1009850.4465
 E=1377102.1519

EIP N=1009640.6213
 E=1376966.2932

EIP N=1009649.5321
 E=1376876.3279

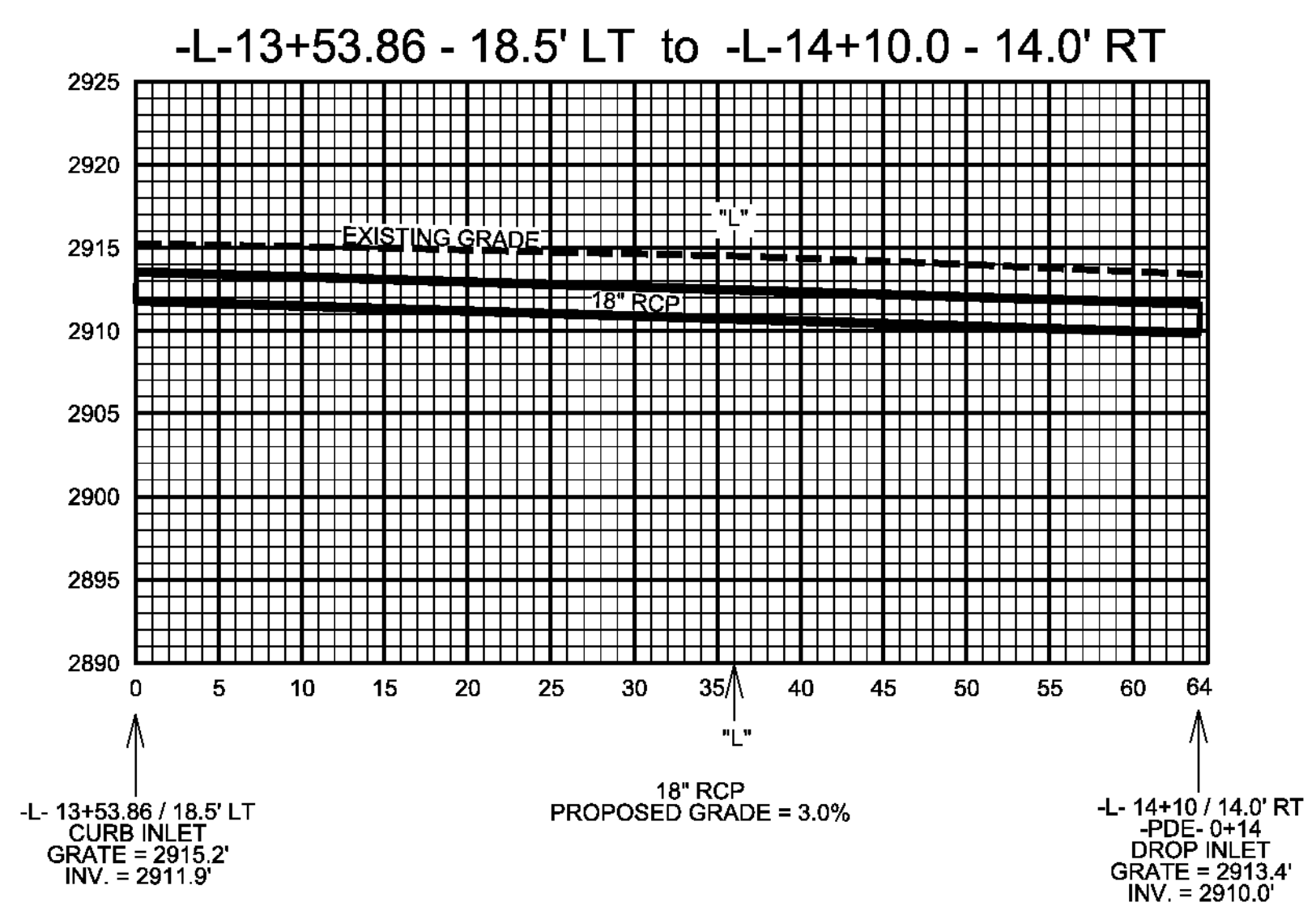
EIP N=1009601.6767
 E=1376918.8233

EIP N=1009540.2898
 E=1377004.1017

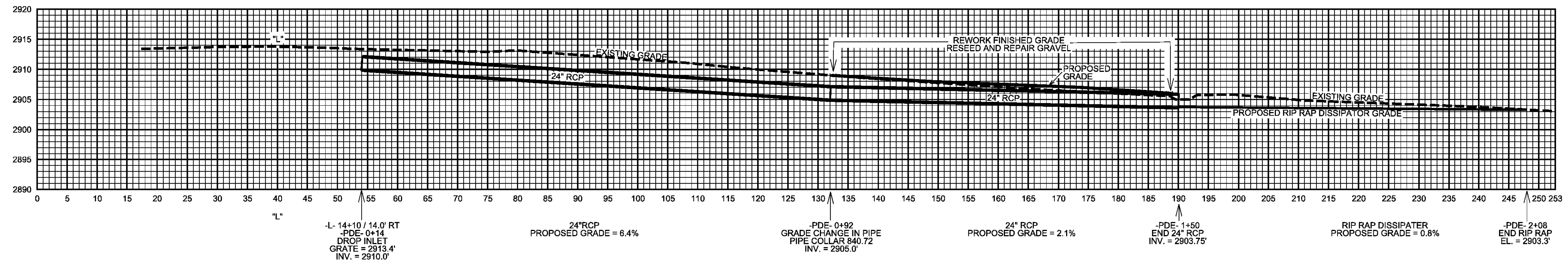
EIP N=1009733.8198
 E=1377216.8313

EIP N=1009849.3831
 E=1377101.1201

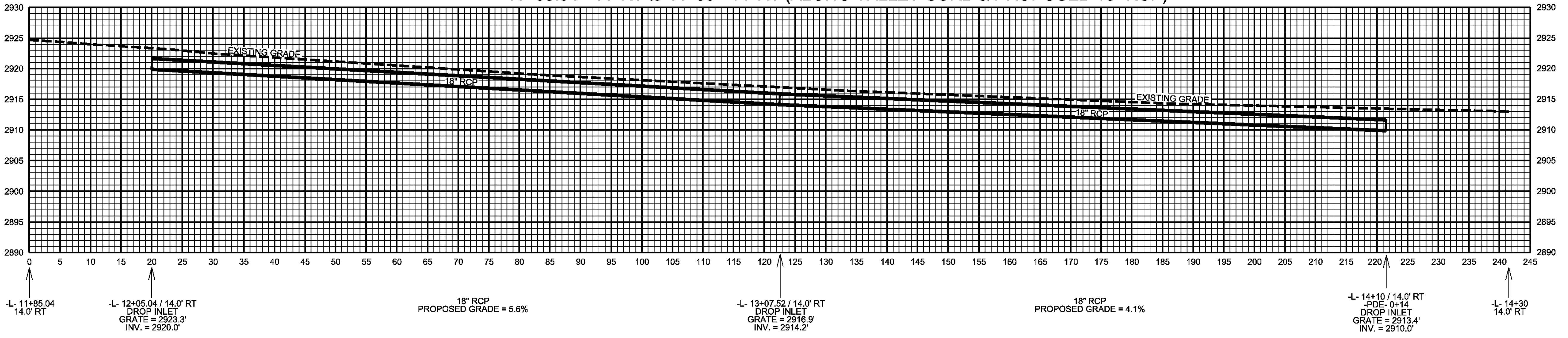
COMPUTED BY: _____ DATE: _____		PROJECT NO. 11C.003013		SHEET NO.													
CHECKED BY: _____ DATE: _____		NC HWY 18, SPARTA, ALLEGHANY COUNTY															
STATION	LOCATION (L.T. OR C.L.)	CLASS III R.C. PIPE (UNLESS NOTED OTHERWISE)				BITUMINOUS COATED C.S. PIPE TYPE B (UNLESS NOTED OTHERWISE)				CLASS III R.C. PIPE OR ALUMINIZED C.S. PIPE, TYPE IR OR HDPE PIPE, TYPE S OR D				C.B. N.D.I. D.I. G.D.I. G.D.I.(N.S.) J.B. M.H. T.B.D.I. T.B.J.B.	ABBREVIATIONS CATCH BASIN NARROW DROP INLET DROP INLET GRATED DROP INLET GRATED DROP INLET (NARROW SLOT) JUNCTION BOX MANHOLE TRAFFIC BEARING DROP INLET TRAFFIC BEARING JUNCTION BOX	REMARKS	
		12"	15"	18"	24"	30"	36"	42"	48"	12"	15"	18"	24"				30"
THICKNESS OR GAUGE																	
STR. TO STR.																	
13+53.86	14+10	X-LINE		64													
12+06.04	13+07.52	14' RT		102													
13+07.52	14+10	14' RT		102													
	15+18	23.4' LT															
	PDE																
0+14	0+92	CL		78													
0+92	1+50	CL		58													
SHEET TOTALS				268	136												



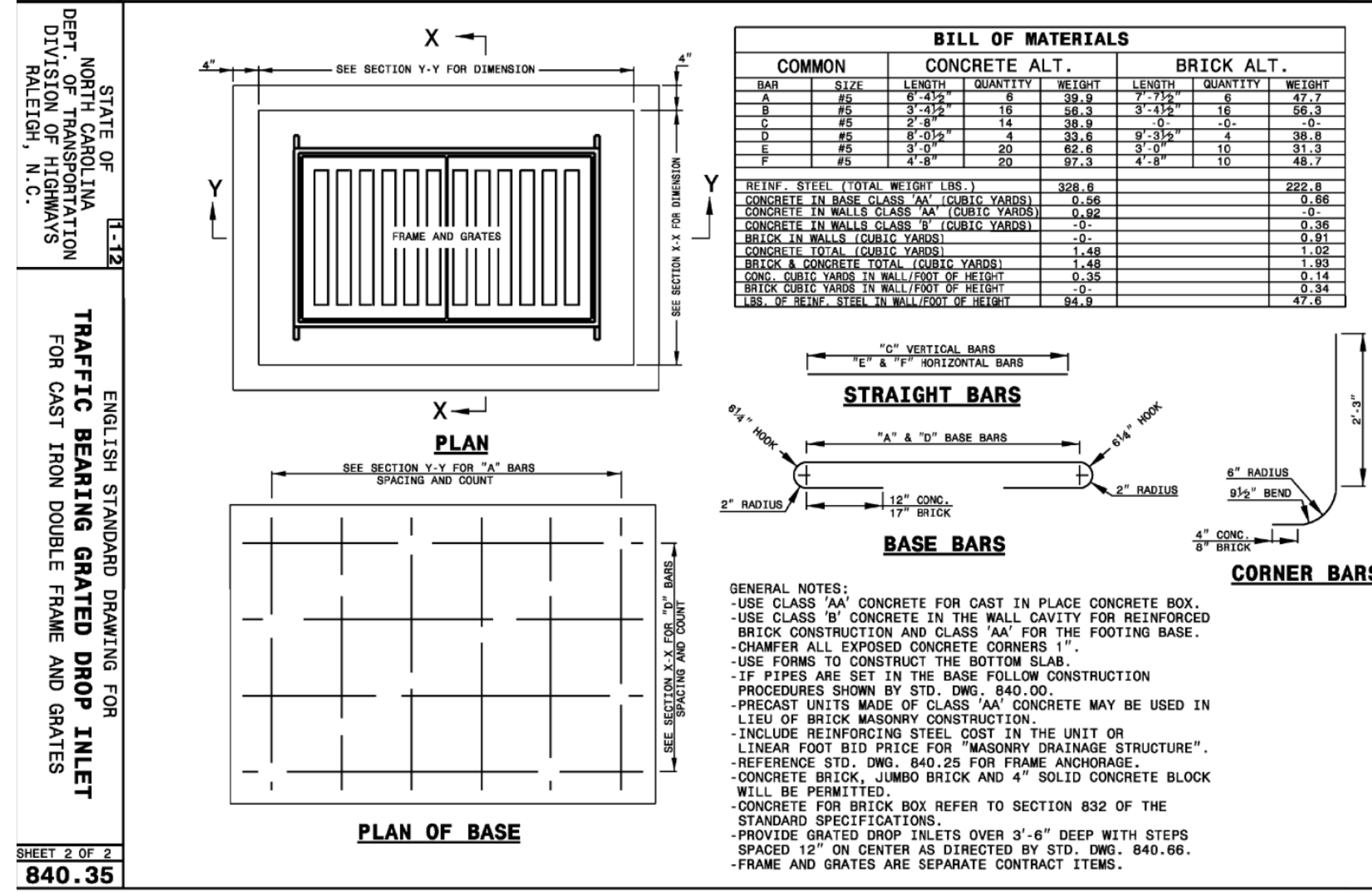
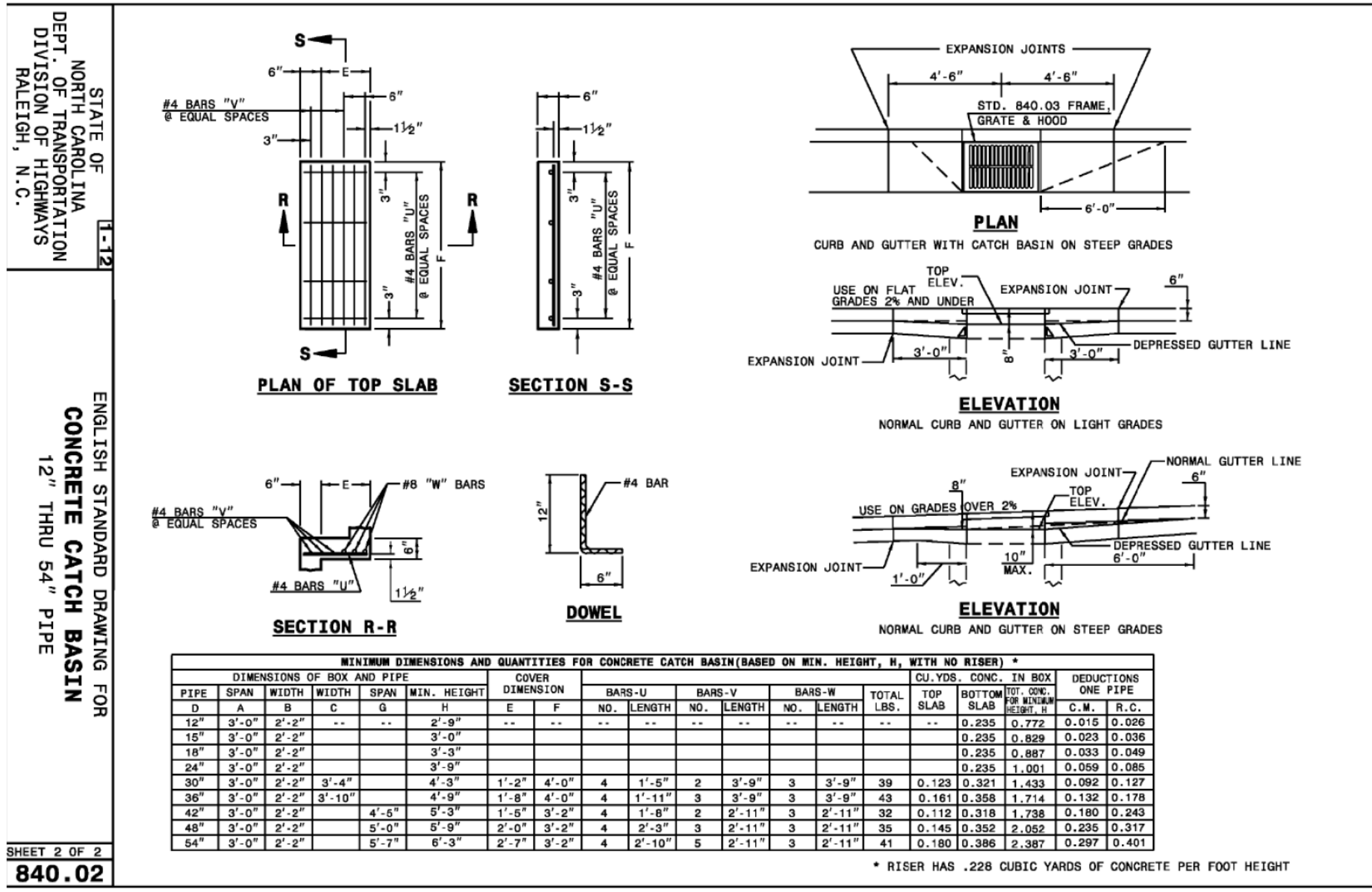
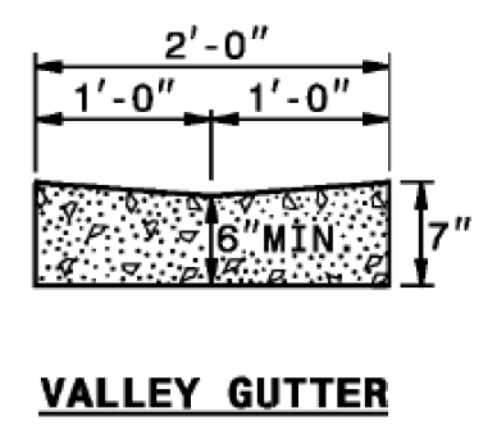
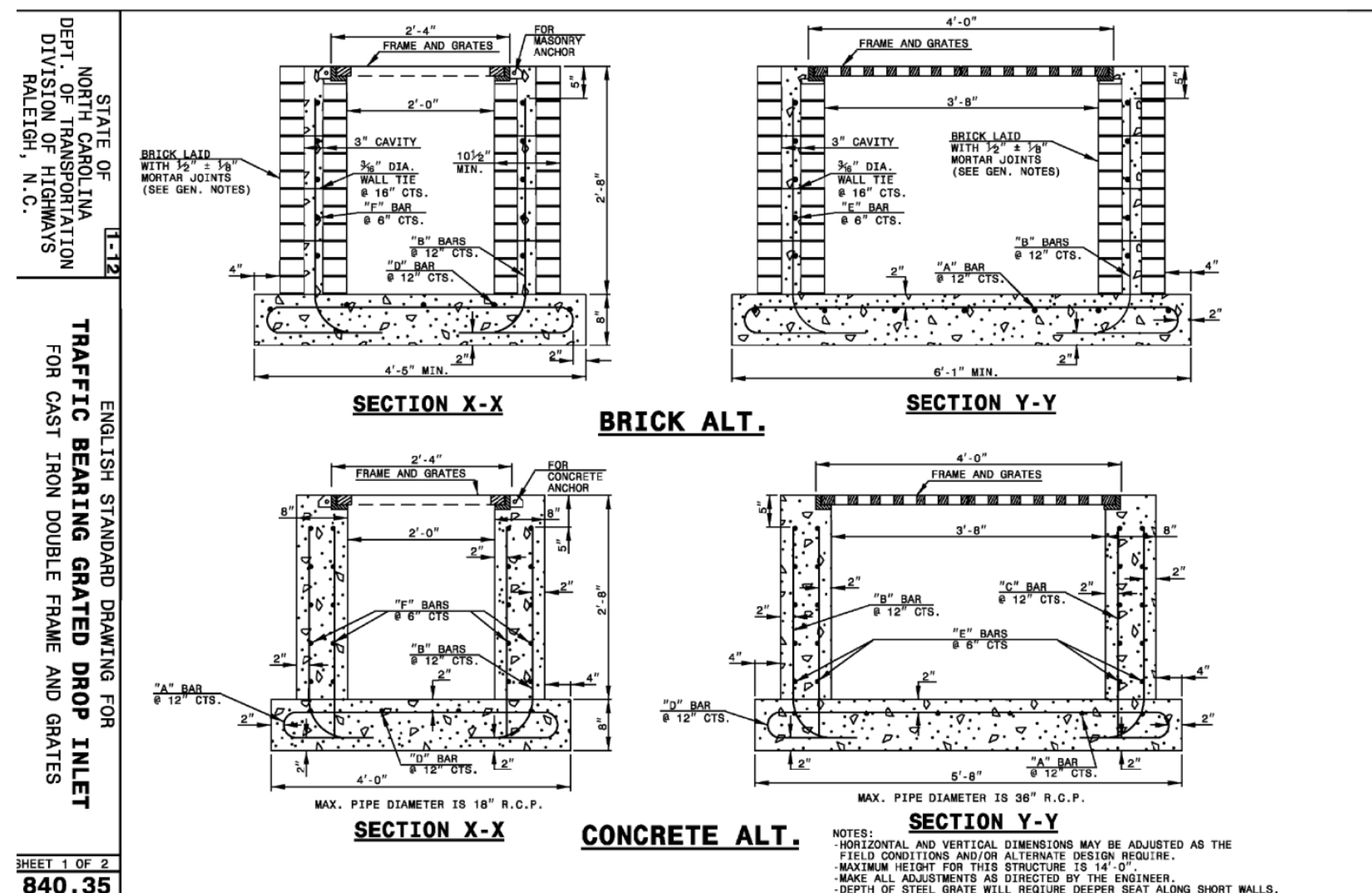
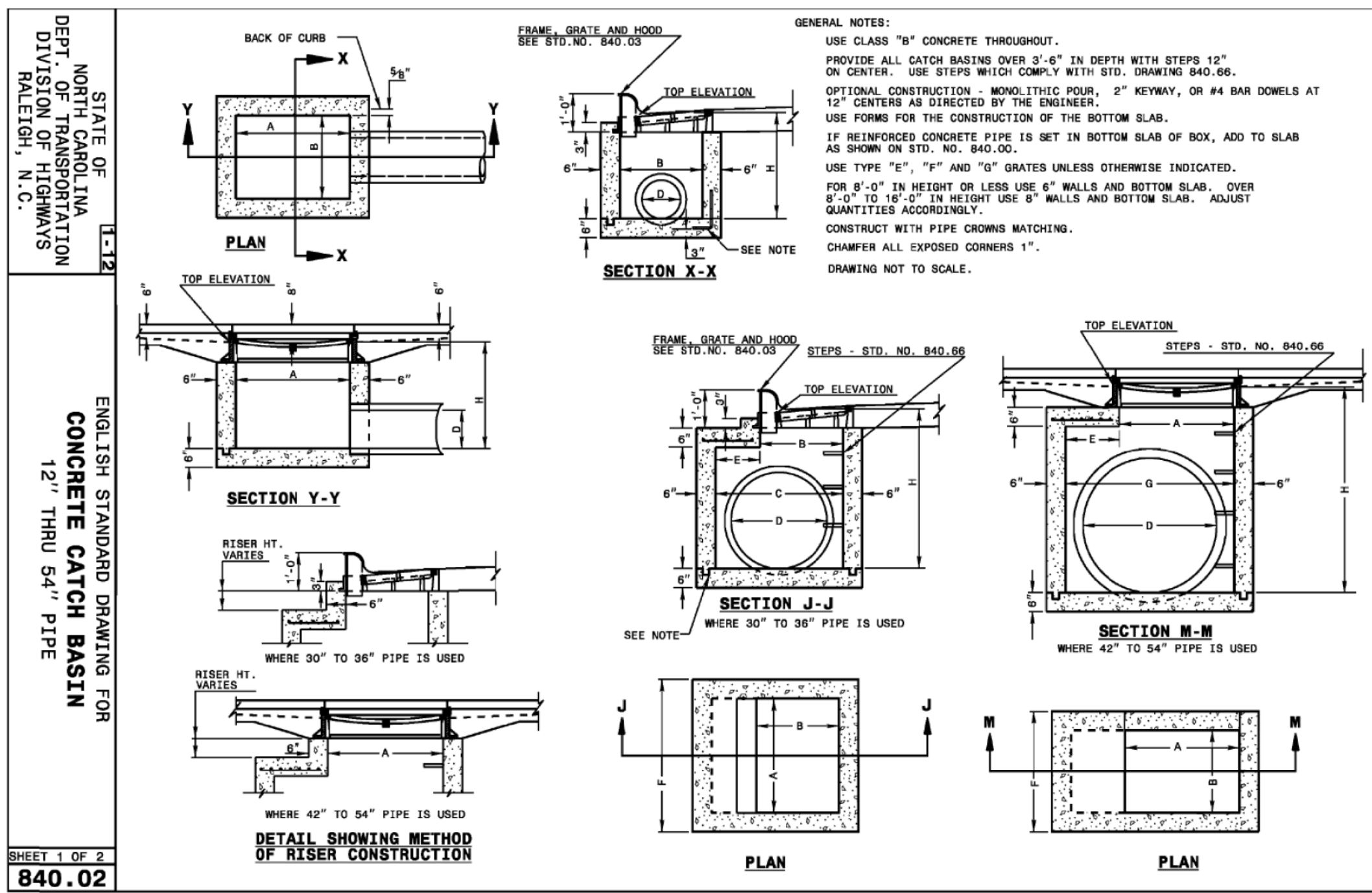
-L-14+10.00 RT (PROPOSED 24" RCP) PDE



11+85.04 - 14' RT to 14+30 - 14' RT (ALONG VALLEY CURB & PROPOSED 18" RCP)



REVISIONS



REVISIONS

